



Model#: RF-FLWT

INSTALLATION GUIDE

TABLE OF CONTENTS

contents

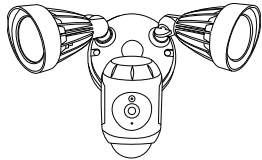
- 01 What's in the box
- 02 Hardware Installation
- 03 Reflection Home App
- 04 App Features
- 05 FAQ

01

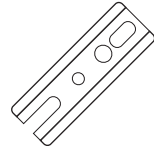
What's in
the box?

Device
Information

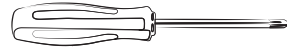
WHAT'S IN THE BOX



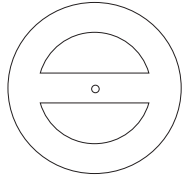
1x Floodlight



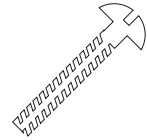
1x Mounting Bracket



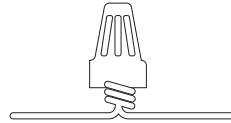
1x Philips Screwdriver



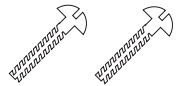
1x Gasket



1x Long Screw



3x Wire Nuts

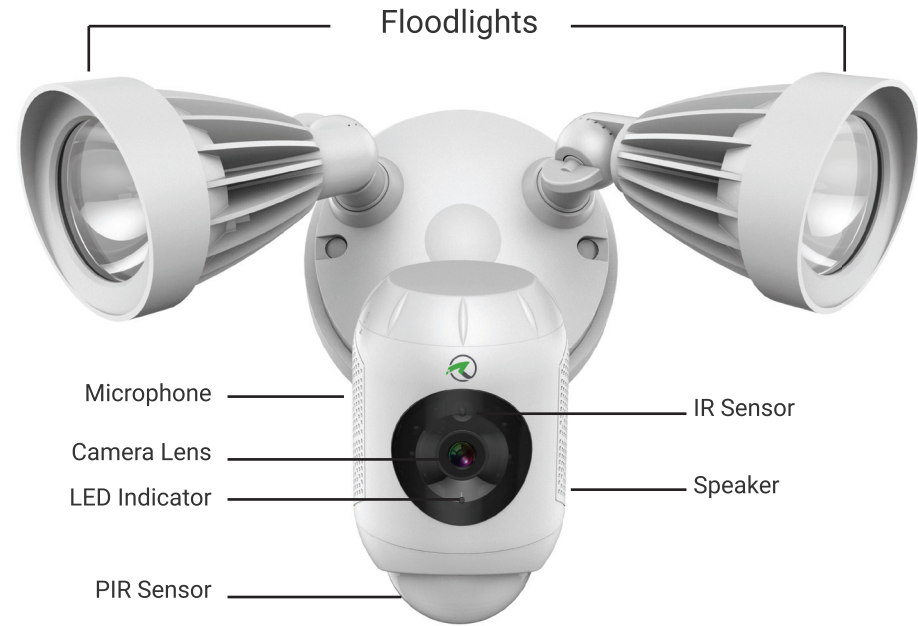


2x Medium Bracket Screws

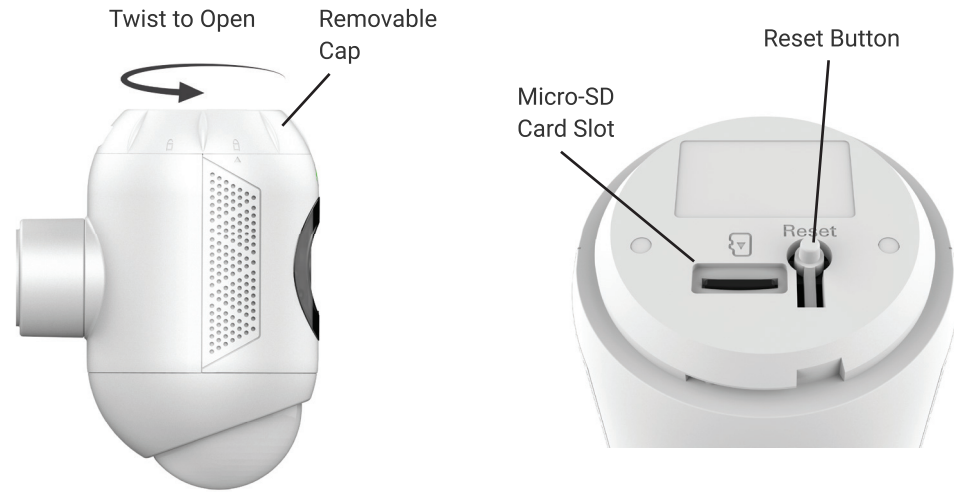


2x Short Bracket Screws

DEVICE INFORMATION



DEVICE INFORMATION



02

Hardware Installation

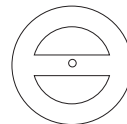
BEFORE INSTALLATION

- Shut OFF the power at the fuse or circuit breaker box. DO NOT rely on a wall switch alone to turn off the power.
- If you're unsure which switch it is to turn off the floodlight power, please consult with a licensed electrician.
- Make sure your setup location has a strong WiFi signal.
- This equipment is intended for installation in a restricted access location. Access can only be gained by service persons or by users who have been instructed about the reasons for the restrictions applied to the location and about any precautions that shall be taken.
- If you plan to perpetually power on device, please add appropriate disconnecting apparatus and overcurrent protection device, outside of the device.

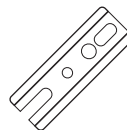


WARNING: Failing to shut off the power could result in a serious injury, electrical shock, and/or risk of fire.

EVERYTHING YOU NEED FOR INSTALLATION



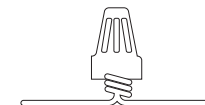
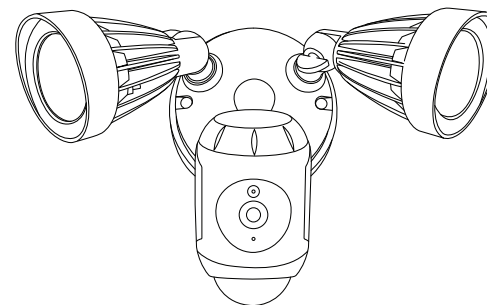
Gasket



Mounting Bracket



Phillips Screwdriver



3x Wire Nuts

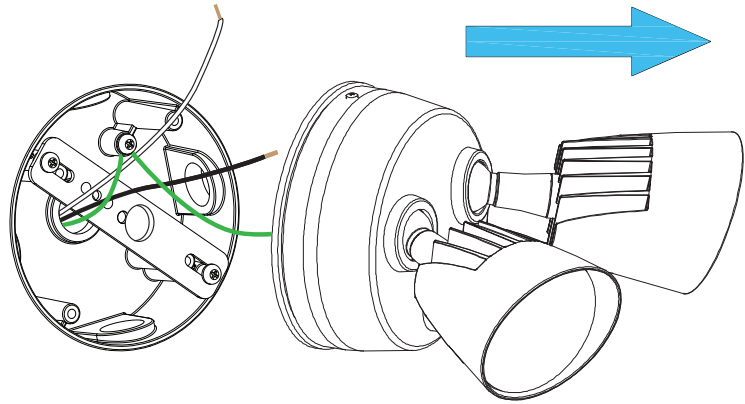


Long Screw



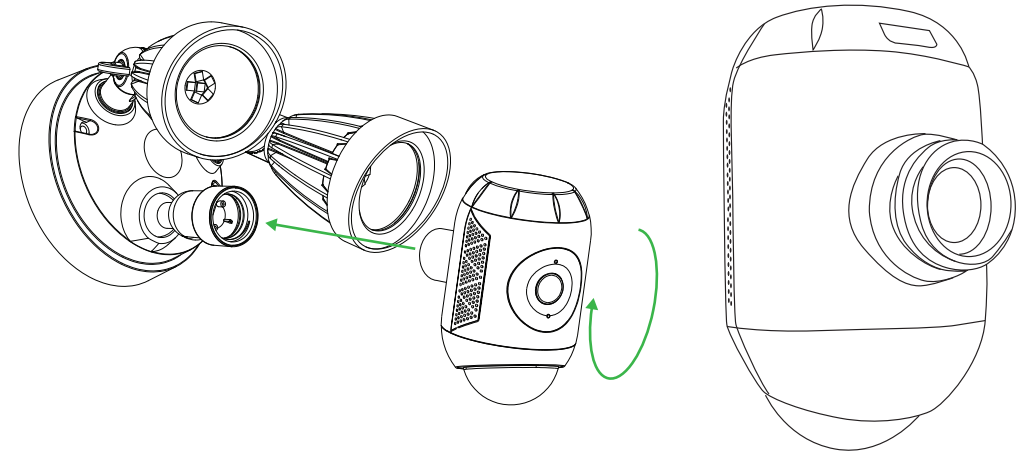
2x Short Bracket Screws

REMOVE EXISTING FLOODLIGHT



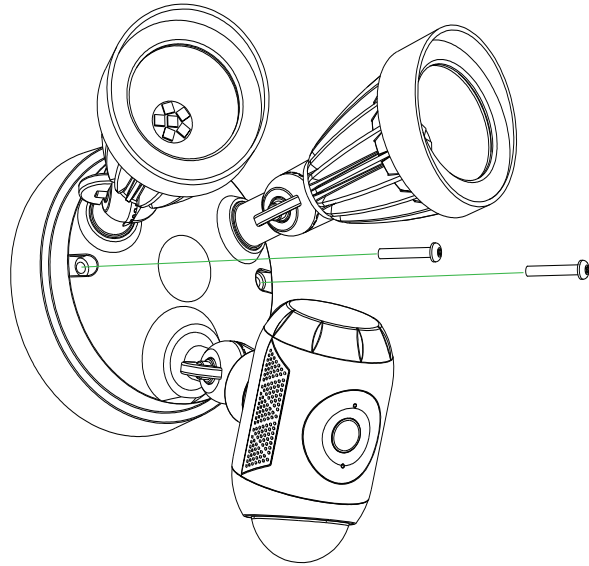
- If you have another floodlight already installed, remove your existing fixture from the junction box, bracket and disconnect the three set of wires.
- If there is a mounting bracket attached to your junction box, you may remove too.

ATTACH THE CAMERA TO THE FLOODLIGHT



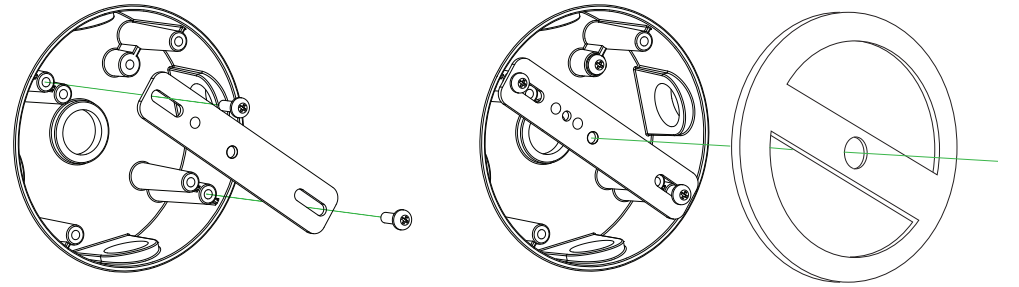
- Before you install your floodlight, attach the camera by screwing the camera onto the floodlight.

DETACH THE MOUNTING BASE



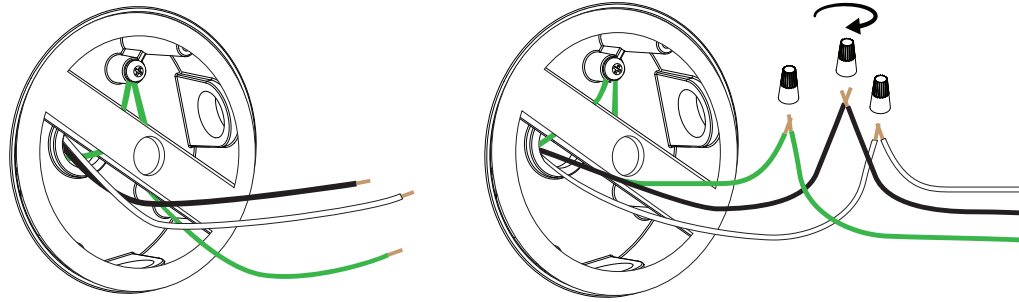
- Remove the white tipped screws with the screwdriver.
- Detach the mounting base from the floodlight by pulling the pull strap on the mounting base.

INSTALL THE BRACKET AND GASKET



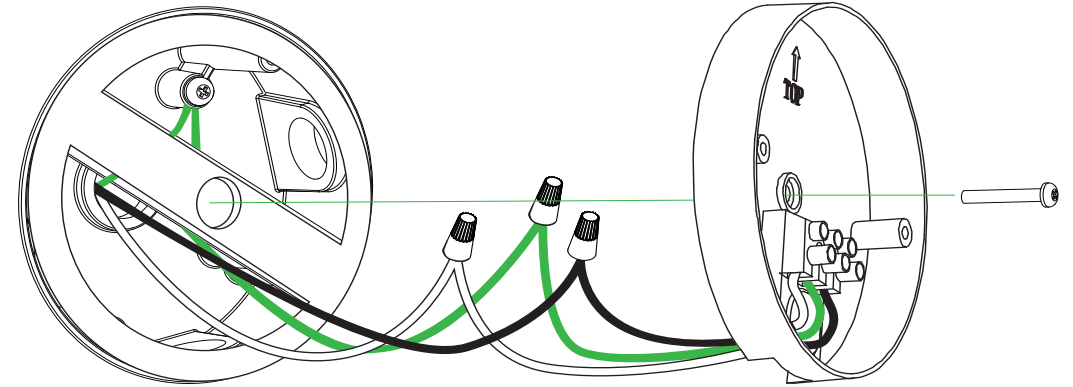
- Use the small or medium size screws to install the mounting bracket on the junction box.
- Peel off the white tape, align the center of the gasket with the center bracket hole then press and hold the gasket on the junction box.

CONNECT THE WIRES



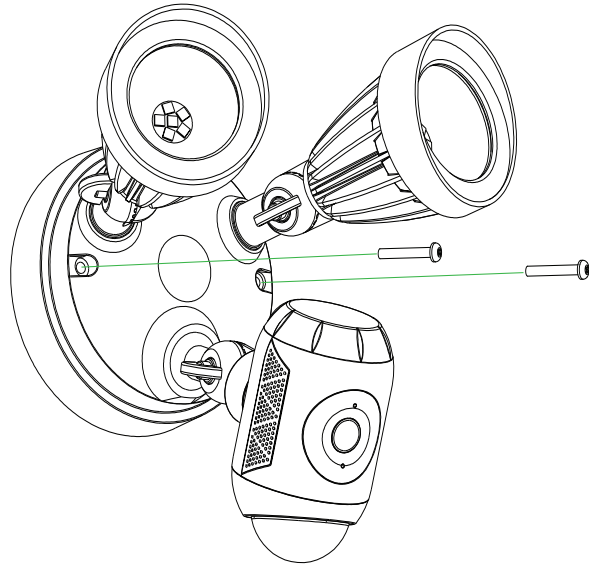
- There should be three sets of wires coming from your wall fixture. A ground wire (usually green or copper), a black wire and a white wire.
- Twist the open ends of the matching wires and use the wire nuts to secure them together.

INSTALL THE MOUNTING BASE



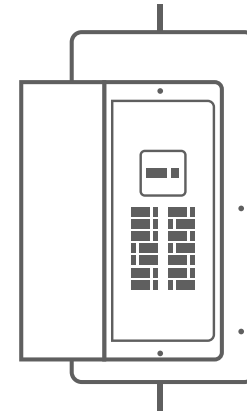
- Align the mounting base to the junction box with the gasket. Make sure the arrow is pointing up on the mounting base.
- Carefully push all wires through the large opening in the bracket.
- Use the long screw to secure the mounting base to the junction box.

ATTACH THE FLOODLIGHT CAMERA



- Align the floodlight's mounting holes with the mounting base and press them together, secure them using the two white tipped screws with the screwdriver.

RESTORE POWER



- After the floodlight is secured, you may now turn the power back on from the power breaker.
- After restoring power, the floodlight's LED indicator will blink blue and begin speaking to you to let you know it is in set up mode.

03

Reflection Home App

Download & Set up

REFLECTION HOME APP

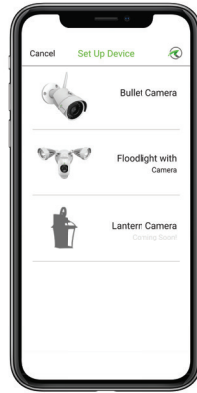
Step 1 - Download the Reflection Home App



- On your mobile device, go to the App Store (iOS devices) or the Google Play (Android devices).
- Search for “**Reflection Home**”
- Download and install the Reflection Home app on your mobile device.

REFLECTION HOME APP

Step 2 - Follow the on-screen instructions



- After you create an account, follow the on-screen instructions to learn how to pair the floodlight to the Reflection Home app.

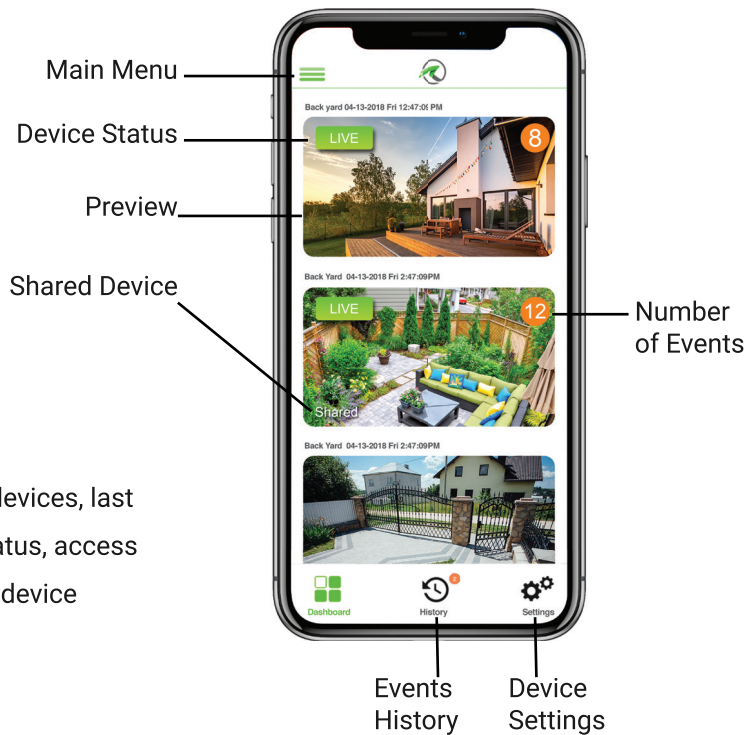
04

App Features

FEATURES

Dashboard

You can view your paired devices, last image captured, device status, access to main menu, history and device settings.










FEATURES

Live View

You can access a handful of features while watching the live view on one of your devices.

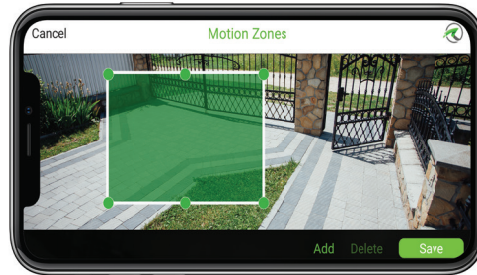


-  **Snapshot** – Take a screenshot of the current live view
-  **REC** – Manually record a short clip of the current live view
-  **Push to Talk** – Scare off intruders or have a conversation with visitors
-  **Volume** – Unmute your live view to hear what is happening in your feed
-  **Open Menu** – Reveals the floodlight and siren button
-  **Floodlight** – Manually turn on your floodlight's lights
-  **Siren** – Turns on the 110-decibel siren

FEATURES

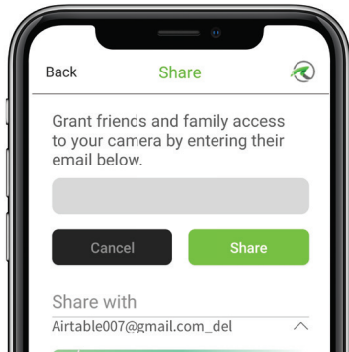
Motion Zones

Create and customize up to 3 different motion zones so your camera can focus on the important areas around your home. The Reflection Home app will instantly send you a notification when motion is detected within the zones.



Share Devices

Share your device's live view with your friends or family members so they can keep an eye on your home when you're away.



FEATURES

Turn on the Lights

Manually turn on your floodlights in live view mode to scare off intruders at night.



History

Review your list of motion events that were detected up to 24 hours while you were away.



05

FAQ

FAQ

What are the Reflection Home app phone requirements?

- A mobile device running on Android 6.0 and above or IOS 10.0 and above.

Why is my Floodlight not powering up?

- See if there is a light switch controlling the power to the outlet your Floodlight is plugged into. If so, make sure it is switched on and stays switched on.

Do I need a Micro SD card?

- You do not need a memory card to watch the live stream on your mobile device. If you want to view your history of recorded motion events longer than 24 hours old, you'll need a data storage option, such as a Micro SD Card or by subscribing to one of Reflection cloud storage plans.

FAQ

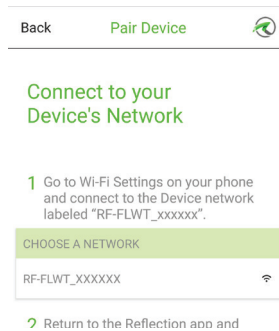
How to reset the Floodlight?

- If your floodlight is paired, you can reset from the floodlight from the Reflection Home app. Open Settings, select your device, tap General, then select Reset to Factory settings.
- When your floodlight isn't paired, you can reset it by removing the cap on the camera, pressing and holding the reset button for five seconds until you see a solid purple LED. Wait up to 1 minute until you see a flashing Blue LED, which indicates that the floodlight has been reset and is now in pairing mode.



I can't find the device network (RF-FLWT-xx) on my phone during setup.

- Go to your phone settings and turn off your WiFi connection, wait 30 seconds and turn it on again.
- If that didn't help, perform a reset. Once the indicator LED is flashing blue, start the pairing process again.



FAQ

LED Indicators

LED Color	Description
Solid Purple	Booting
Flashing Red	Recording in progress
Flashing Blue	Ready to connect WiFi
Solid Blue	Connected

How to restart the Floodlight?

- When your floodlight is paired, you can restart the floodlight from the Reflection Home app. Open Settings, select the device you want to restart, select General, then select Restart.
- If you connect the floodlight to a light switch, you can restart the floodlight by flipping the switch off, and then quickly on again.



FAQ

Does the Floodlight work with a 5GHz router?

- No, the camera only works with 2.4GHz router.

Why is my video quality so poor?

- First, determine the cause of the issue
- Test your internet connection speed from Reflection home App by selecting Settings, your device, and test your connection.
- The minimum internet speed is 2Mbps, if your speed is below 2Mbps, please turn off other WiFi device to find out any device near the router that might slow down the internet speed.

Can I capture images at night or in dark environments?

- Yes, the Bullet Cam has Infrared (IR) night vision built in. Night vision is automatically activated when the camera senses a low light environment.

FAQ

How to proper position your Floodlight?

- The Floodlight works best at about nine feet above ground level with the motion sensor parallel to the ground. From this height, your Floodlight can cover a wide visual area. When Floodlight is mounted too low, it reduces your Optimal Motion Zone.

How many hours of recording do I get with a 4GB, 8GB, 16GB, or 32GB SD card at 720p?

- If you use: 4GB SD card= 12 hours, 8GB SD card = 25 hours, 16GB SD card = 50 hours, and 32GB SD card= 100 hours.

Visit Us at

www.reflectionamerica.com

Email Us at

help@reflectionamerica.com

Call Us at

888.889.8320

Reflection Home app features

To help guide you through the features of the Reflection Home app, please refer to the user manual or visit:

support.reflectionamerica.com

2019 Reflection International Inc.